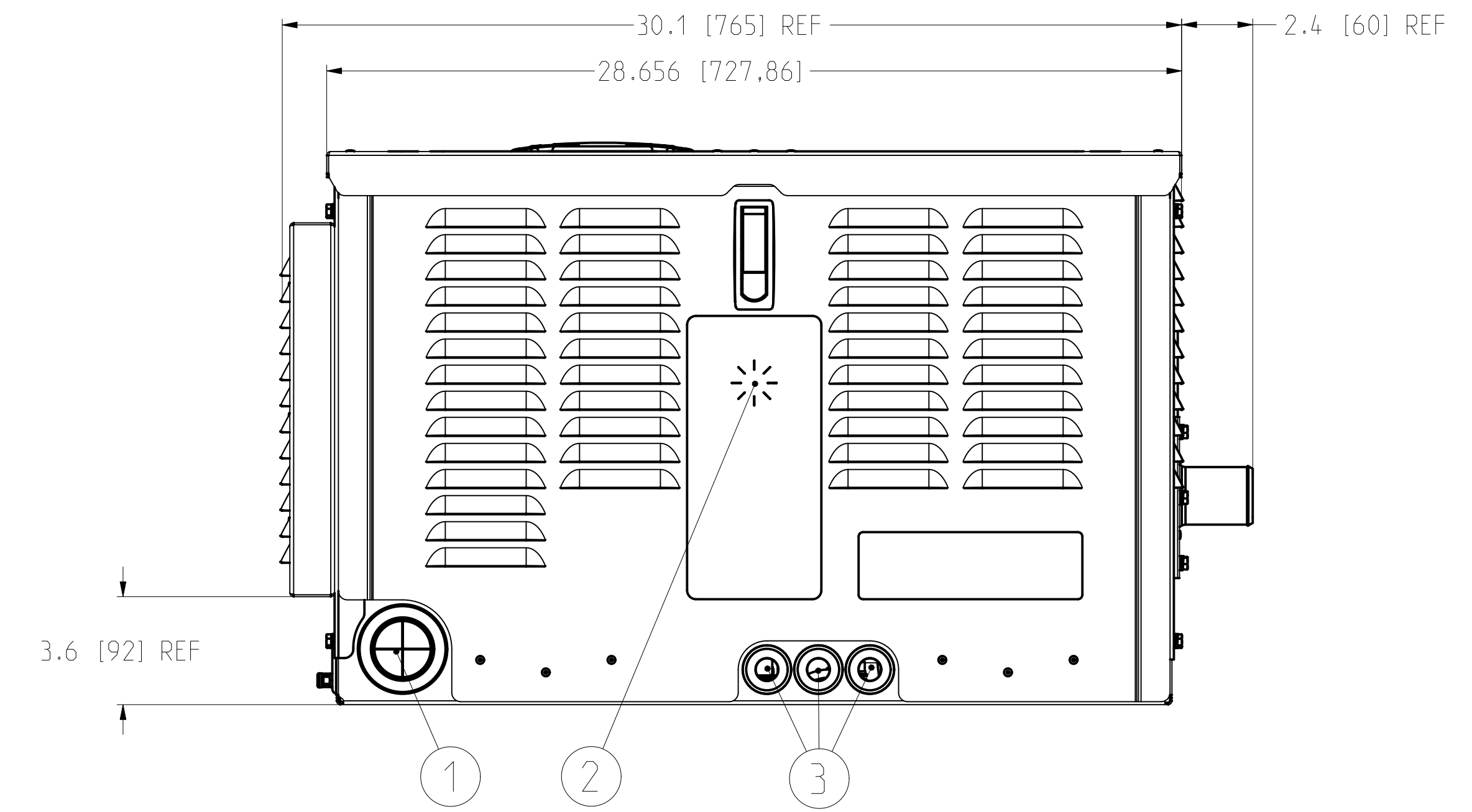
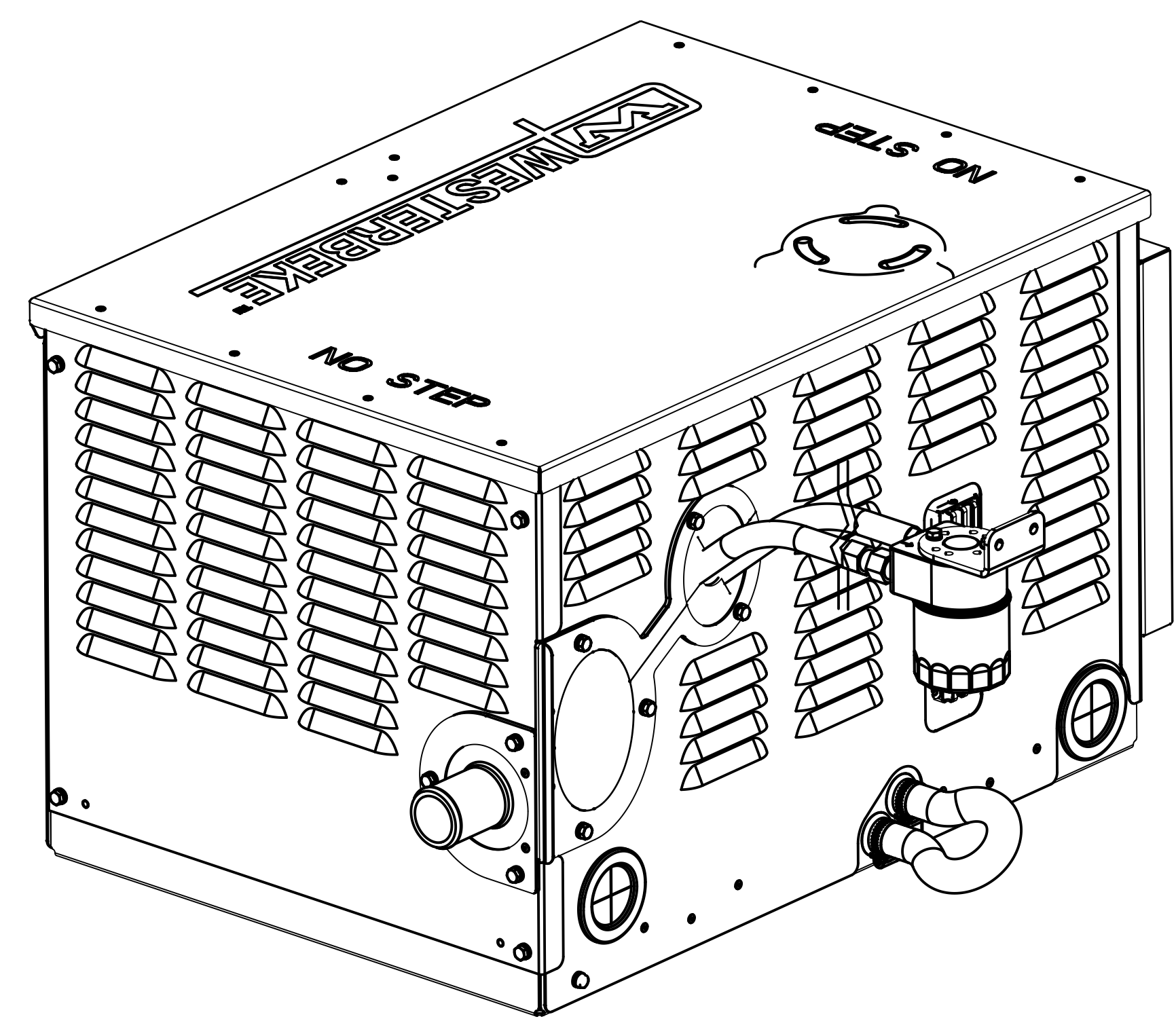
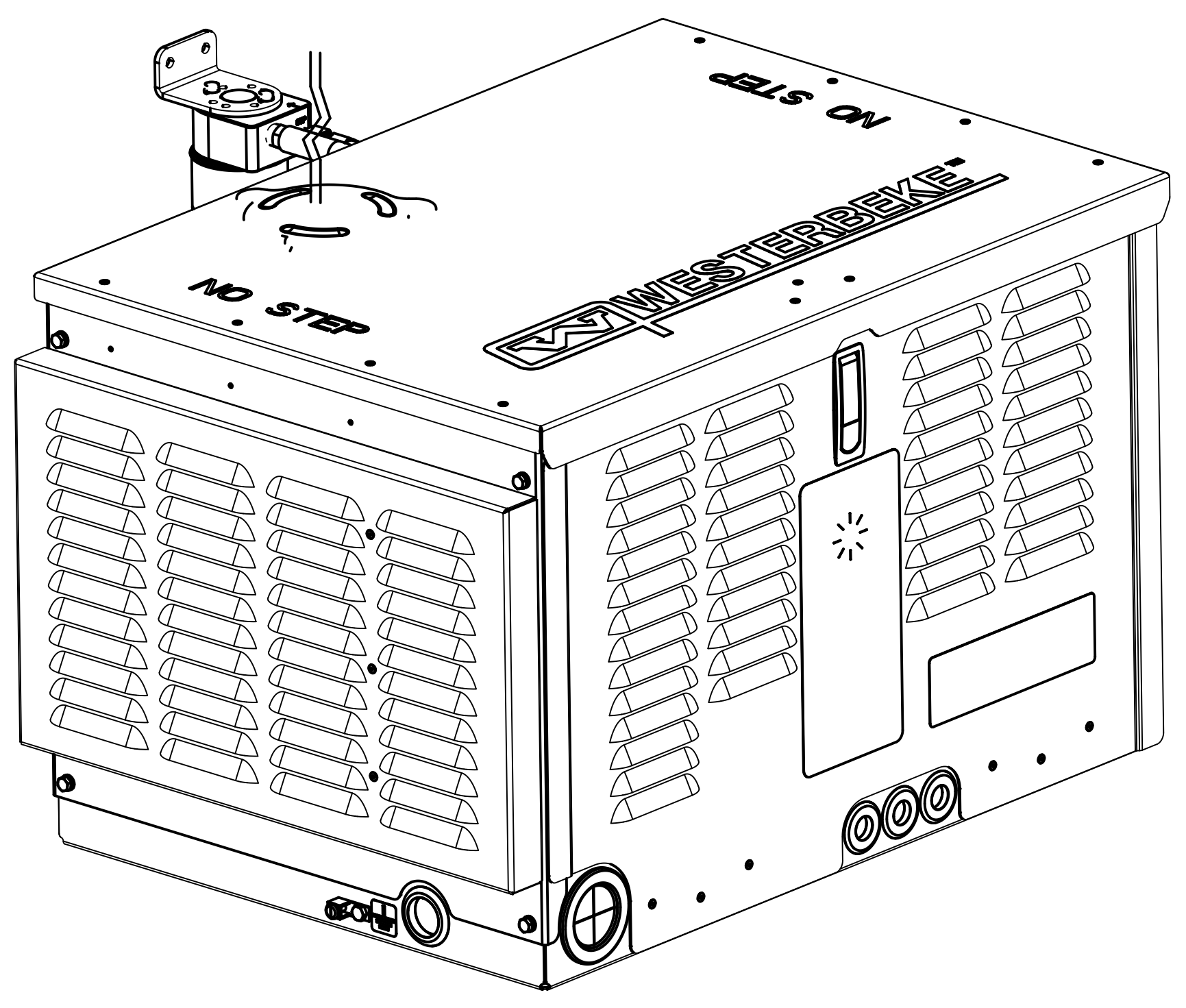
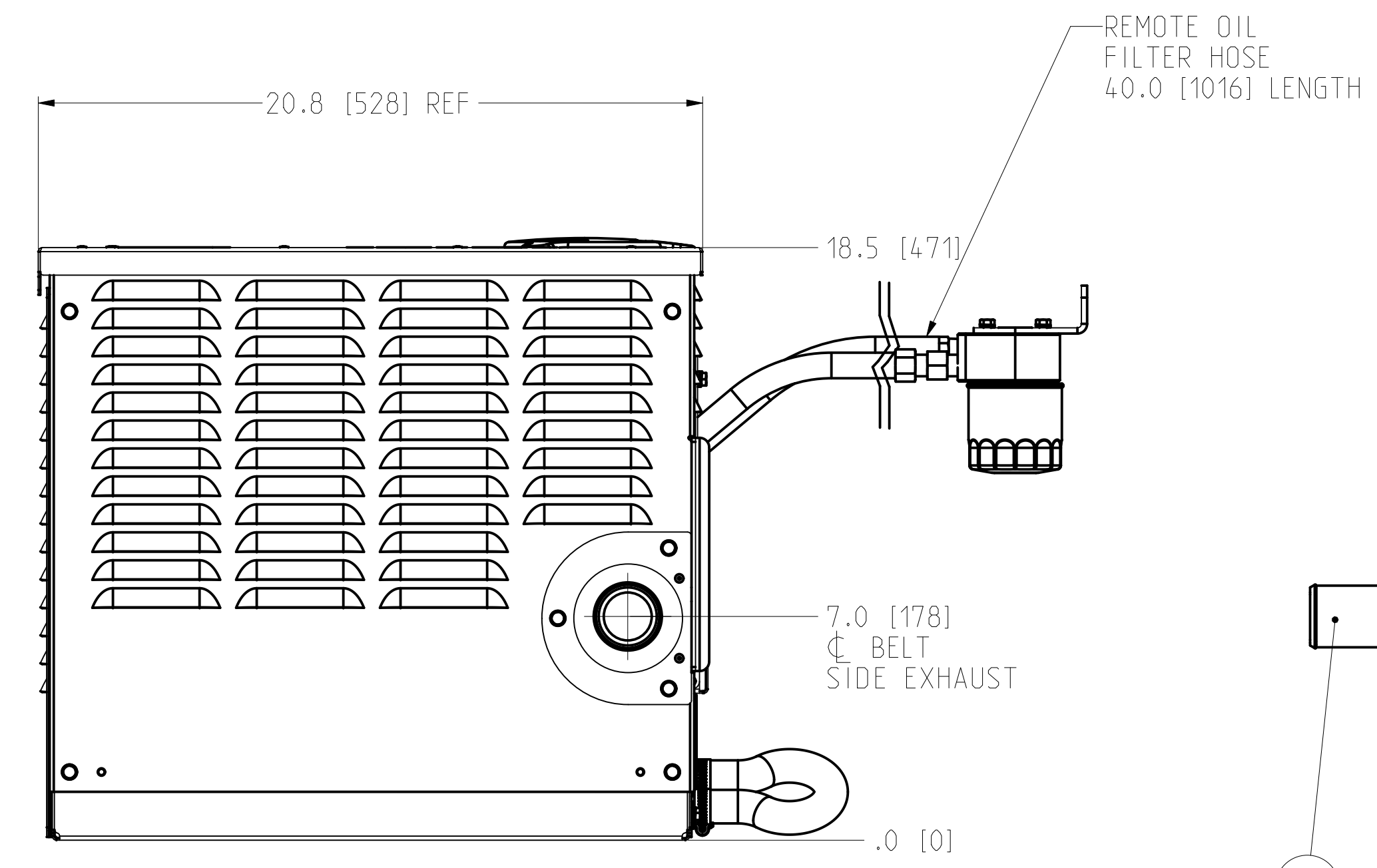


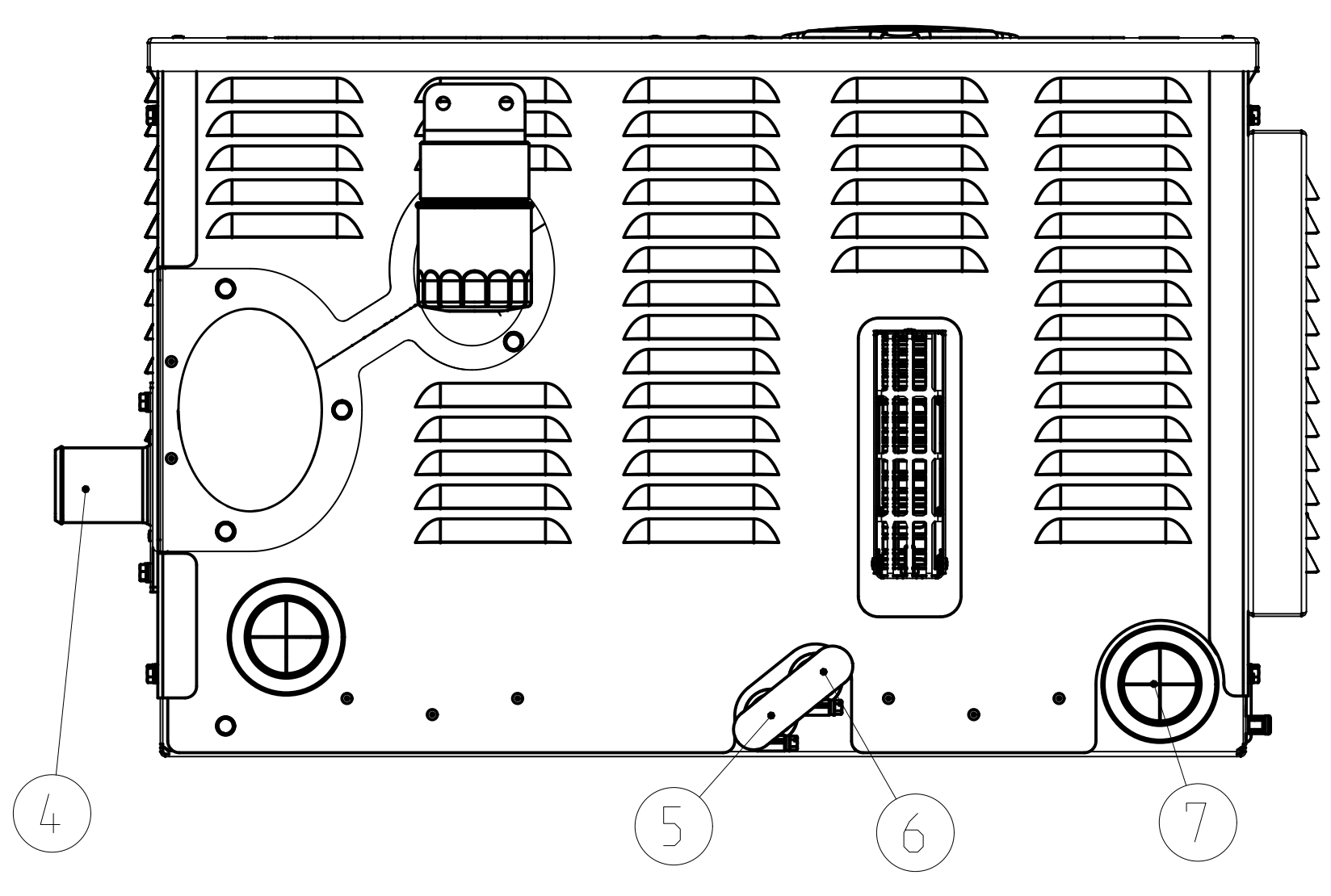
TOP



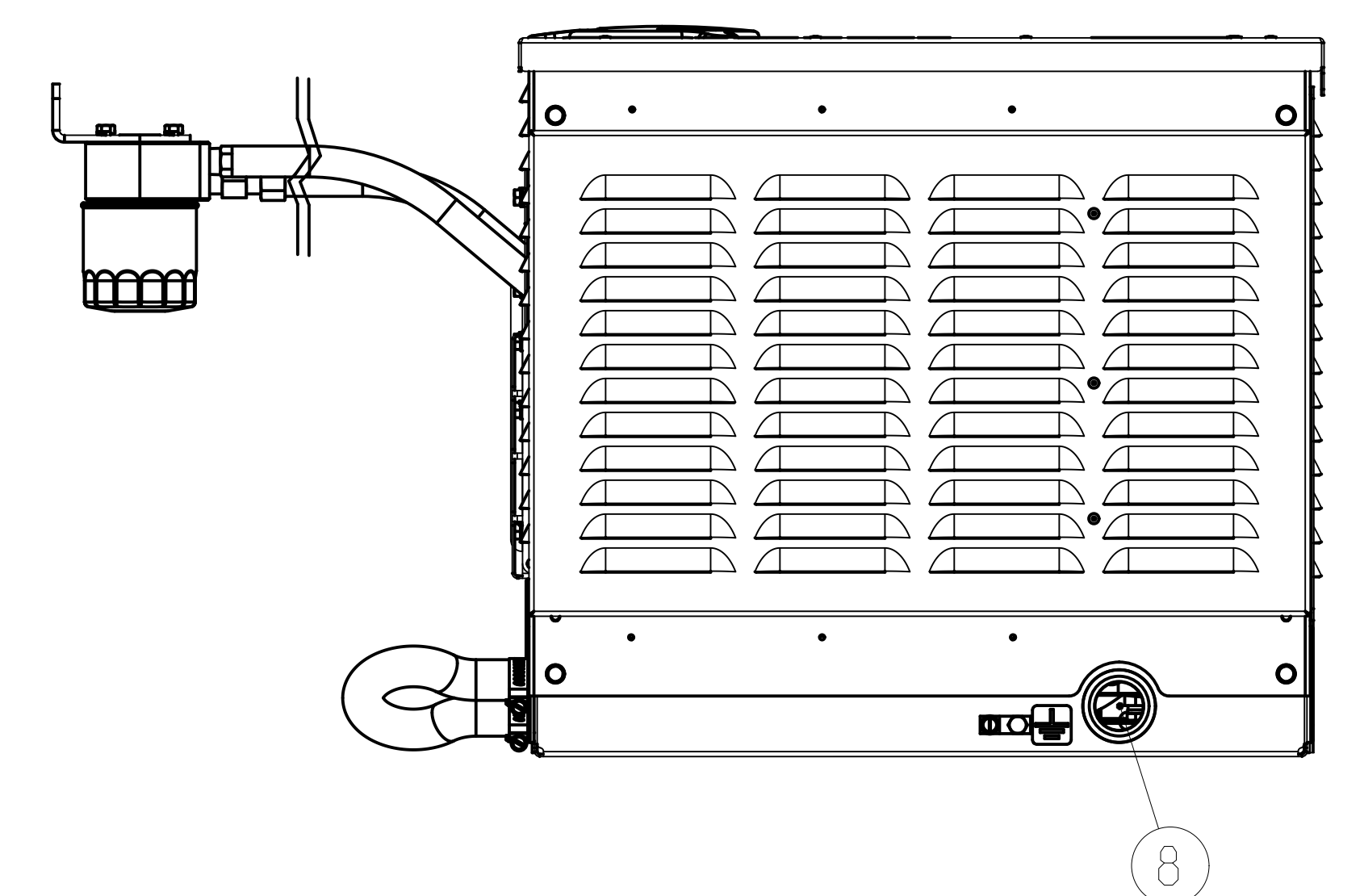
SERVICE SIDE



BELT END

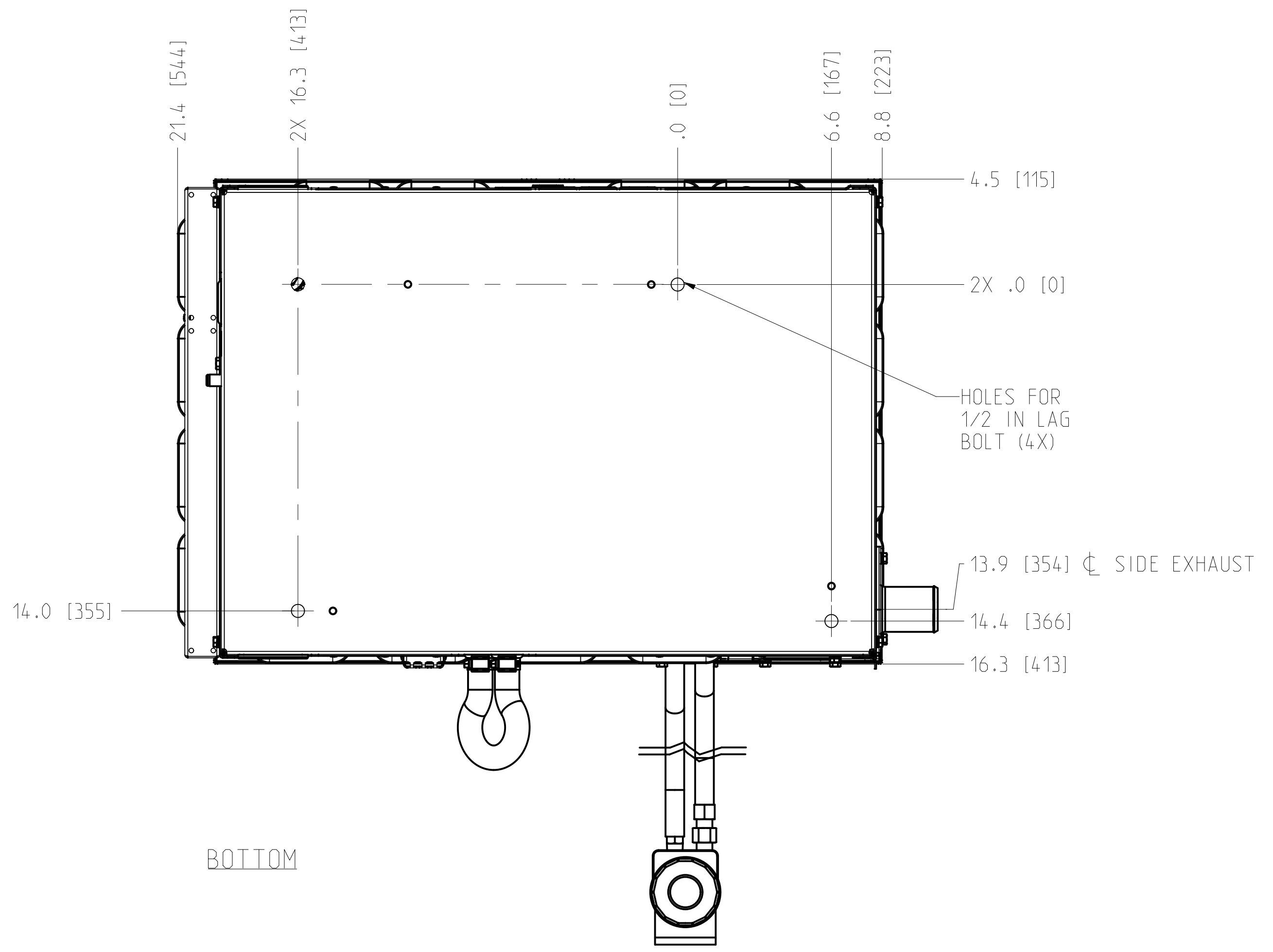


NON-SERVICE SIDE



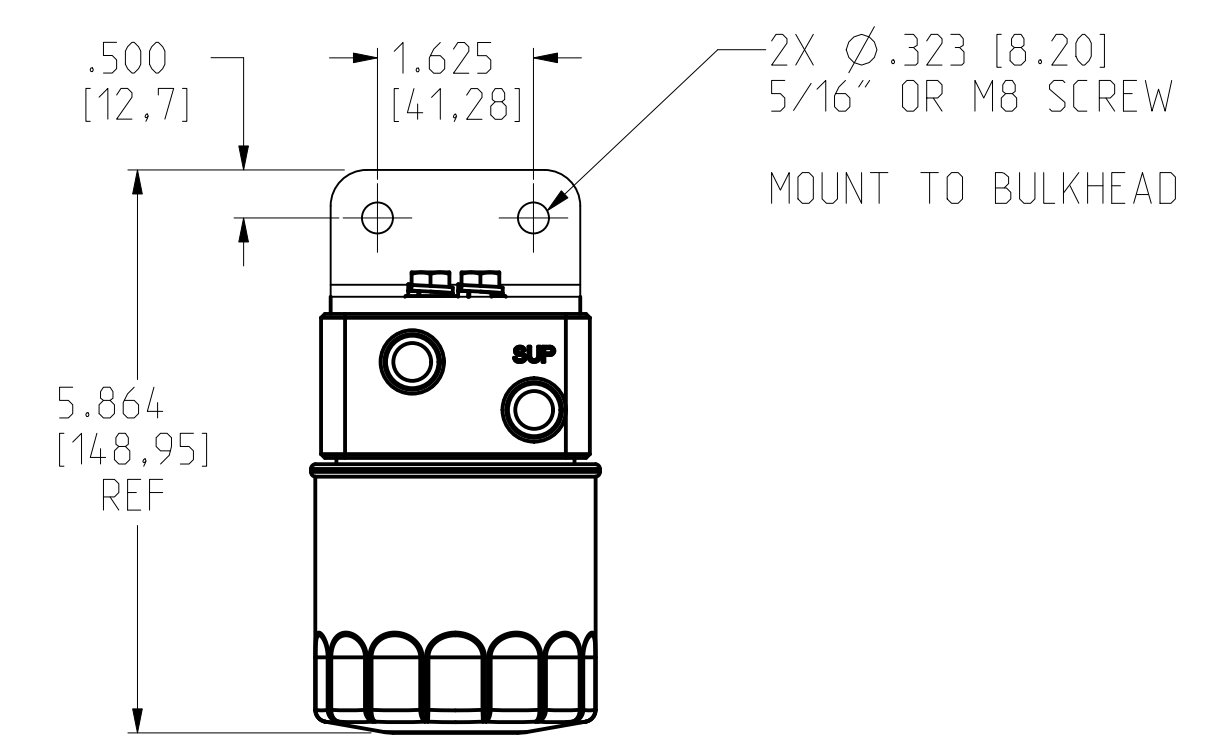
GENERATOR END

SIDE EXHAUST OPTION SHOWN



BOTTOM

ITEM	CONNECTIONS
1	REMOTE PANEL CABLE PASS-THROUGH FIRE BOY CABLE PASS-THROUGH
2	FIRE EXTINGUISHER PORT
3	BATTERY (NEG) CABLE PASS-THROUGH BATTERY (POS) CABLE PASS-THROUGH FUEL LINE PASS-THROUGH, REQUIRES 1/8-27 NPT MALE TO CONNECT TO GENSET INTERNALLY
4	WET EXHAUST, REQUIRES 2 IN ID HOSE TO CONNECT
5	RAW WATER OUTLET (TO SIPHON BREAK), REQUIRES 3/4 IN ID HOSE TO CONNECT
6	RAW WATER INLET (FROM SIPHON BREAK), REQUIRES 3/4 IN ID HOSE TO CONNECT
7	AC POWER CABLE PASS-THROUGH COOLANT OVERFLOW PASS-THROUGH, REQUIRES 5/16 IN ID HOSE TO CONNECT TO GENSET INTERNALLY
8	RAW WATER INLET PASS-THROUGH, REQUIRES 3/4 IN ID HOSE TO CONNECT TO GENSET INTERNALLY
9	ACCESS TO A/C CIRCUIT BREAKER



REMOTE OIL FILTER MOUNT

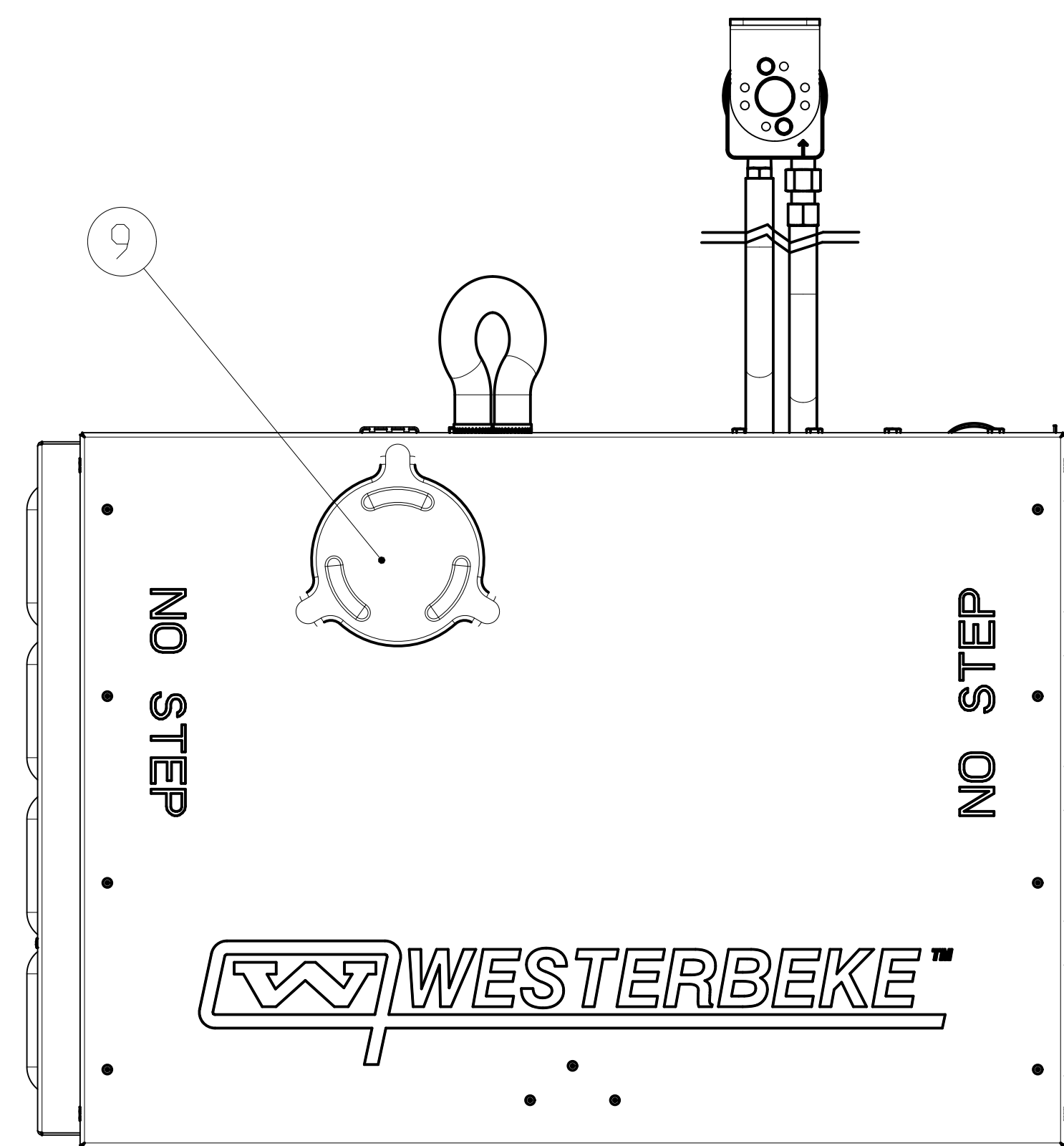
SCALE 0.500

NOTES (UNLESS OTHERWISE SPECIFIED)
1. UNIT OF DIMENSIONS: INCH (MM)
2. TOLERANCE: ±.375 [9.5]

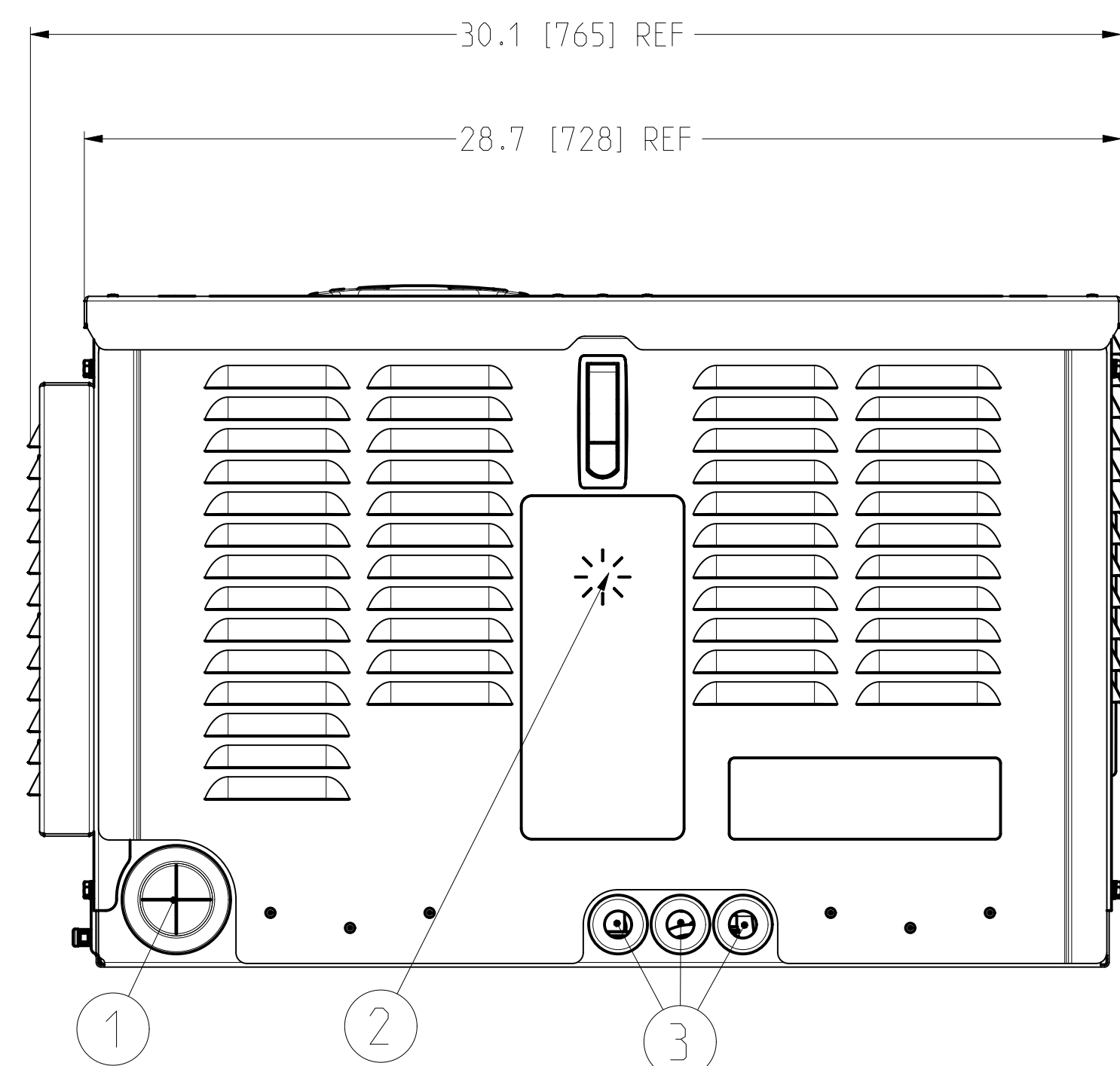
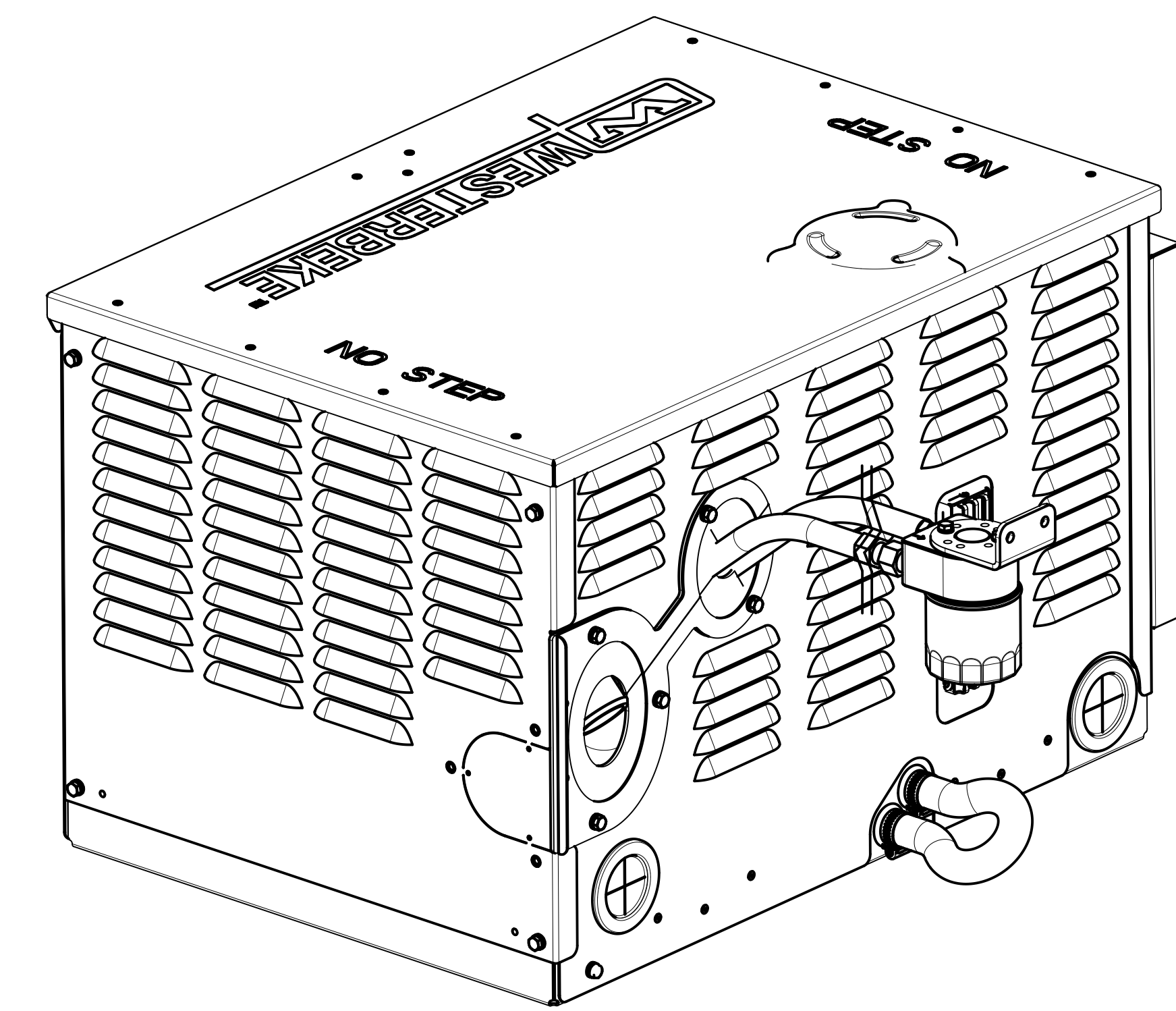
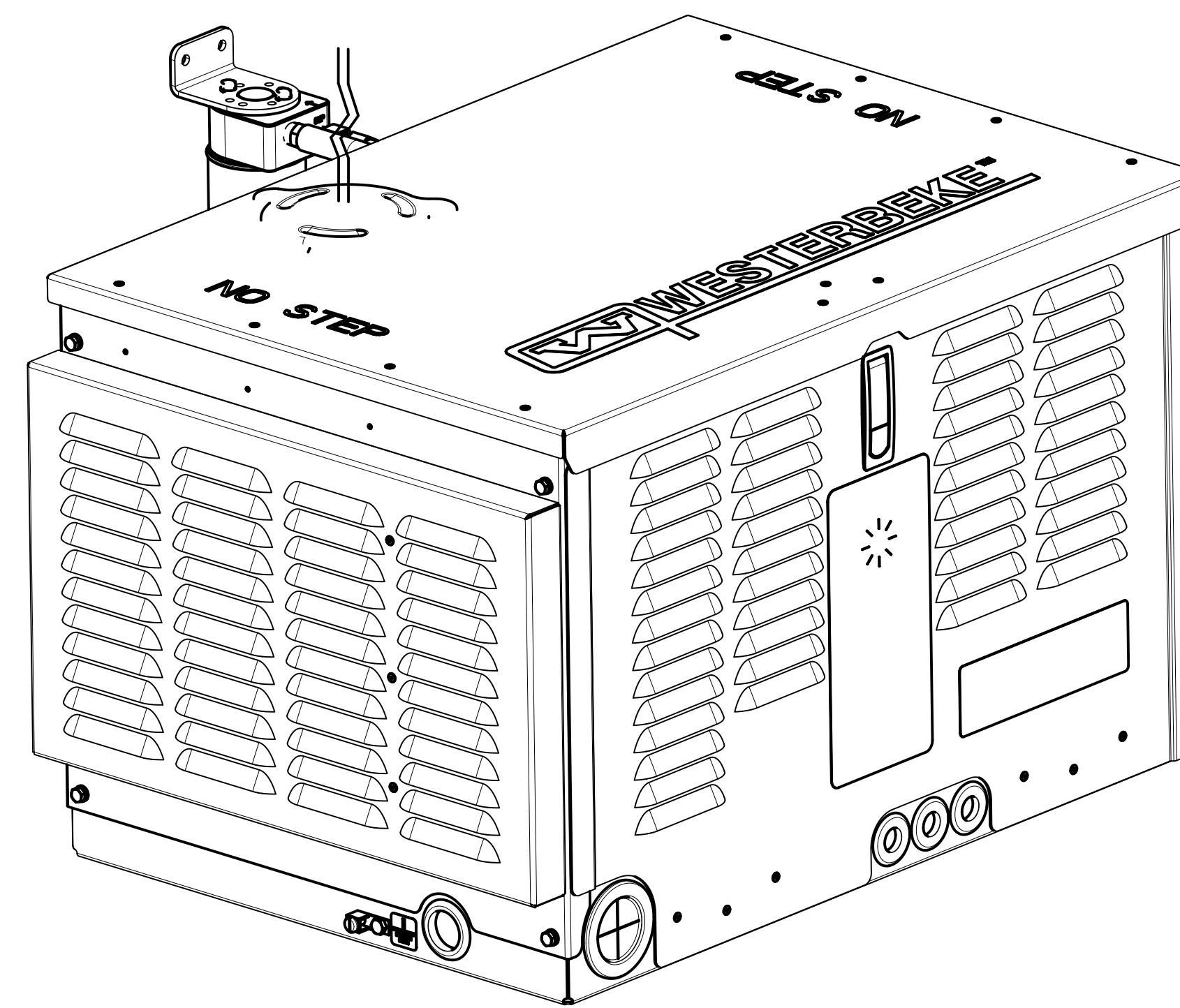
TOLERANCES UNLESS OTHERWISE SPECIFIED DECIMALS: ±.005 FRACTIONS: ±.005 HOLE DIA: ±.005 CONCENTRICITY: 0.01 IN SURFACE FINISH: 32		WESTERBEKE 150 JOHN HANCOCK RD. EASTON, MA 02145 (508) 833-1931	
TITLE: DGINSTALL GEN 7.5/6.2 MCGB VENCJ DRAWN BY: EP DATE: 01/19/2024 APPROVED BY:		MATERIAL: 304 SS FINISH:	
SCALE 0.250 SHEET 1 OF 2		DRAWING NUMBER: 58218	

THIS DRAWING IS PROPRIETARY TO WESTERBEKE CORP. AND MAY NOT BE REPRODUCED OR COPIED WITHOUT A THIRD PARTY WITHOUT EXPRESS WRITTEN PERMISSION.

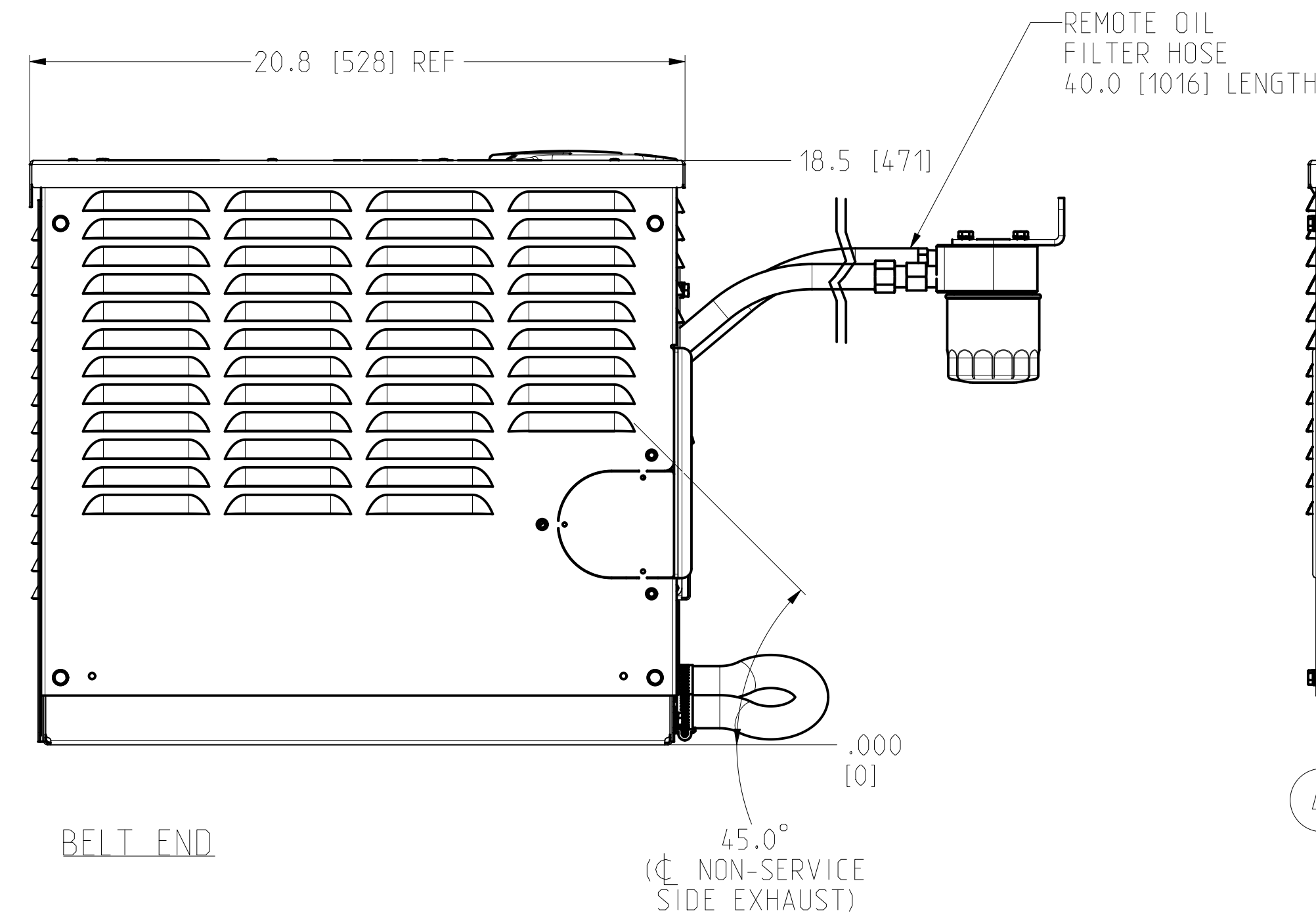
THIRD ANGLE PROJECTION



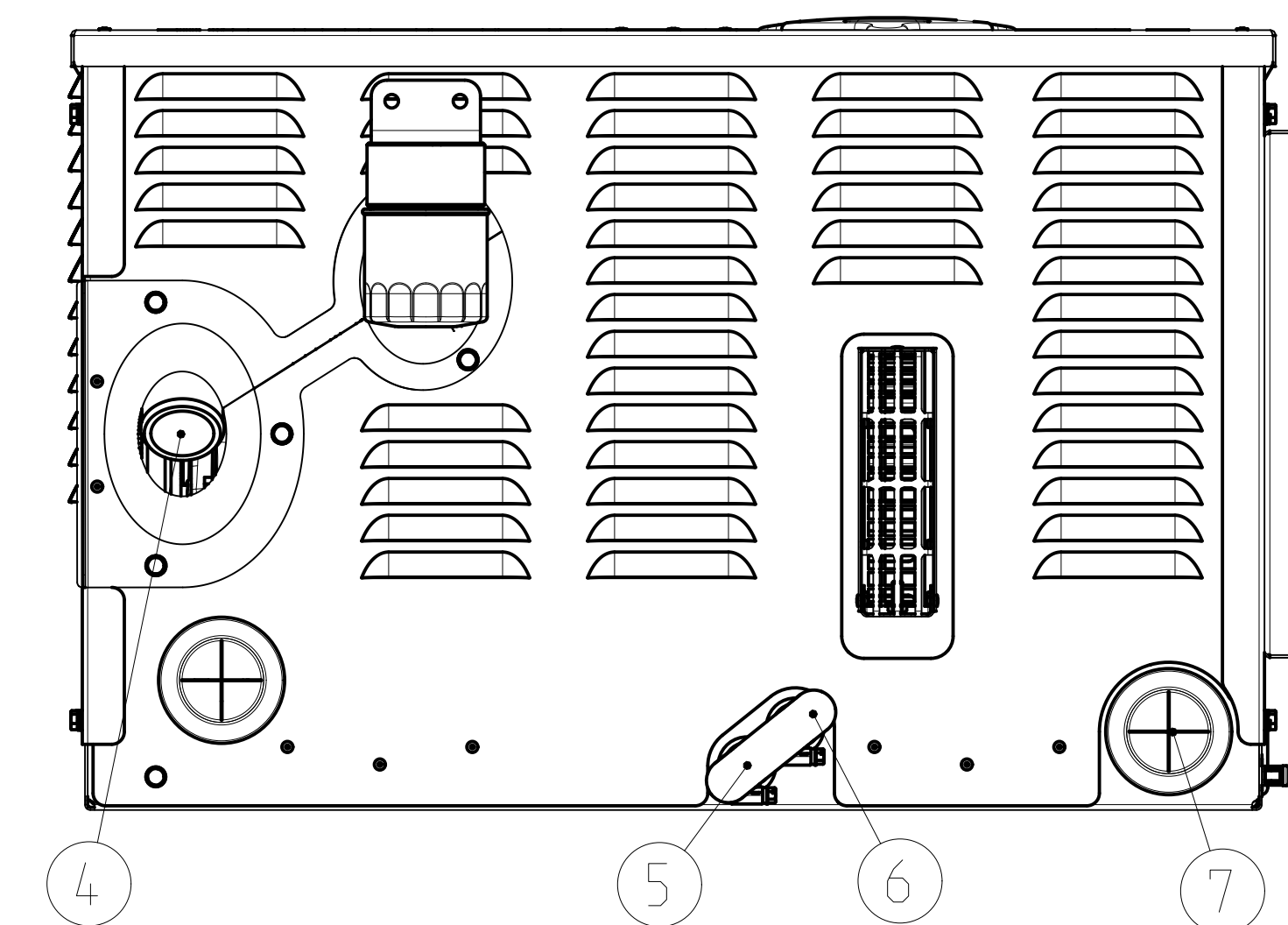
TOP



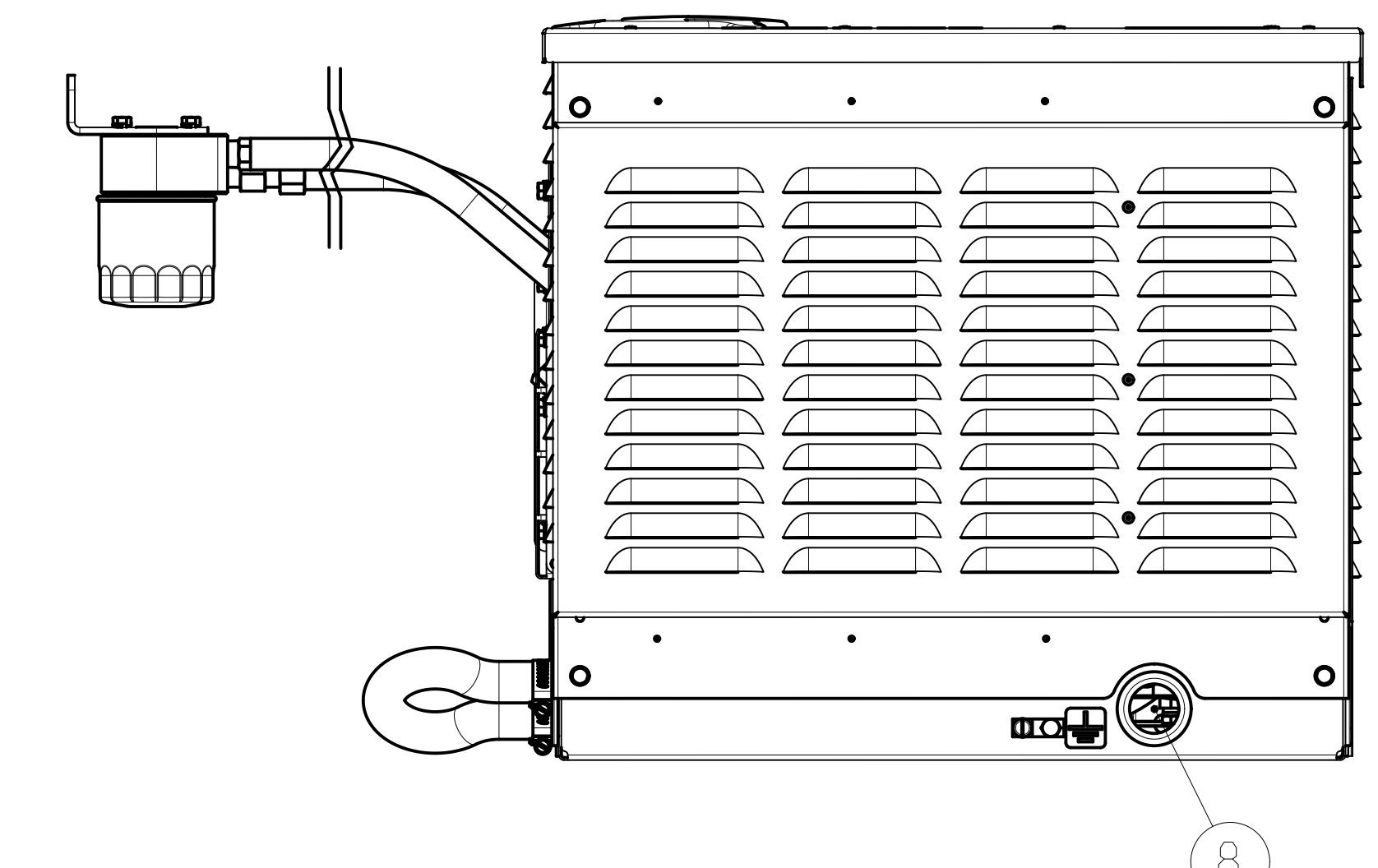
SERVICE SIDE



BELT END

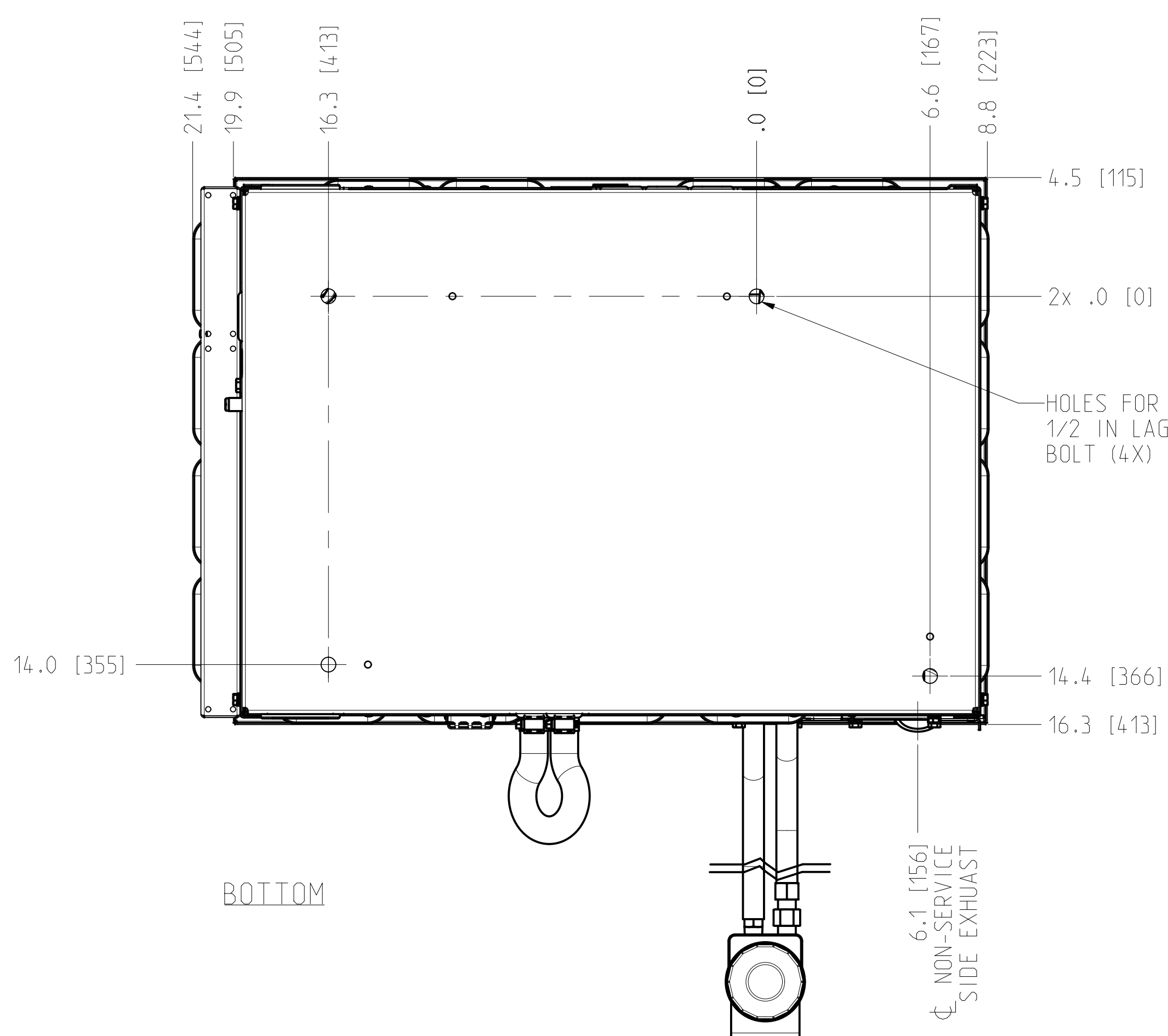


NON-SERVICE SIDE



GENERATOR END

REAR EXHAUST OPTION SHOWN



BOTTOM

ITEM	CONNECTIONS
1	REMOTE PANEL CABLE PASS-THROUGH FIRE BOY CABLE PASS-THROUGH
2	FIRE EXTINGUISHER PORT
3	BATTERY (NEG) CABLE PASS-THROUGH BATTERY (POS) CABLE PASS-THROUGH FUEL LINE PASS-THROUGH, REQUIRES 1/8-27 NPT MALE TO CONNECT TO GENSET INTERNALLY
4	WET EXHAUST, REQUIRES 2 IN ID HOSE TO CONNECT
5	RAW WATER OUTLET (TO SIPHON BREAK), REQUIRES 3/4 IN ID HOSE TO CONNECT
6	RAW WATER INLET (FROM SIPHON BREAK), REQUIRES 3/4 IN ID HOSE TO CONNECT
7	AC POWER CABLE PASS-THROUGH COOLANT OVERFLOW PASS-THROUGH, REQUIRES 5/16 IN ID HOSE TO CONNECT TO GENSET INTERNALLY
8	RAW WATER INLET PASS-THROUGH, REQUIRES 3/4 IN ID HOSE TO CONNECT TO GENSET INTERNALLY
9	ACCESS TO A/C CIRCUIT BREAKER

NOTES (UNLESS OTHERWISE SPECIFIED)
 1. UNIT OF DIMENSIONS: INCH (MM)
 2. TOLERANCE: ±.375 (9.5)

TOLERANCES UNLESS OTHERWISE SPECIFIED DECIMALS: ±.005 FRACTIONS: ±.005 HOLE DIA: ±.005 HOLE DIA: ±.005 CONCENTRICITY: 0.01 ±.010 1 IN SURFACE FINISH: 32		WESTERBEKE Engines & Generators 150 JOHN HANCOCK RD. FAIRPORT, MA 02841 (508) 853-1931	
TITLE: DGINSTALL GEN 7.5/6.2 MCGB VENC		MATERIAL: FINISH:	
DRAWN BY: EP		DATE CREATED: 01/19/2024	
APPROVED BY:		DATE:	
SCALE: 0.250		SIZE:	
SHEET: 2 OF 2		DRAWING NUMBER: 58218	

THIS DRAWING IS PROPRIETARY TO WESTERBEKE CORP. AND MAY NOT BE REPRODUCED OR COPIED WITHOUT A WRITTEN PART WITHOUT EXPRESS WRITTEN PERMISSION.

THIRD ANGLE PROJECTION